



# MEDO LA BLOWER

## INSTRUCTION MANUAL

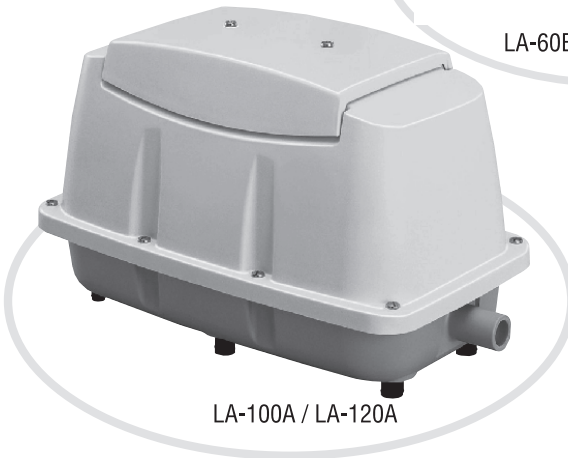
INSTALLATION & MAINTENANCE



LA-28B / LA-45C



LA-60B (E) / LA-80B (E)



LA-100A / LA-120A



This instruction manual should be read and understood thoroughly before any installation and maintenance work is executed.

After reading this instruction manual, please keep it handy for reference.

## CONTENTS

---

|   |    |
|---|----|
| 1. Model and Specifications .....               | 2  |
| 2. Dimensions .....                             | 2  |
| 3. Safety Instruction .....                     | 3  |
| 4. Installation (Septic tank application) ..... | 4  |
| 5. Maintenance .....                            | 5  |
| Parts List (LA-28B / LA-45C) .....              | 8  |
| Parts List (LA-60B (E) / LA-80B (E)) .....      | 9  |
| Parts List (LA-100A / LA-120A) .....            | 10 |



**The symbol of the crossed-out dustbin indicates that this electrical or electronic equipment must not be disposed of with household waste at the end of its service life, but must be taken for separate collection by the end user.**

**Free collection points for old electrical equipment are available in your area for the return of the equipment, as well as other acceptance points for the reuse of the equipment, if applicable.**

**You can obtain the addresses from your city or local government.**

Distributors with a sales area for electrical and electronic equipment of at least 400 square meters and distributors of foodstuffs with a total sales area of at least 800 square meters who offer electrical and electronic equipment several times a calendar year or on a permanent basis and make it available on the market are also obliged to take back old electrical and electronic equipment free of charge. When supplying a new electrical or electronic appliance to an end user, they must take back free of charge an old appliance of the end user of the same type that fulfils essentially the same functions as the new appliance, at the place of supply or in the immediate vicinity thereof, and, without purchasing an electrical or electronic appliance, take back free of charge at the end user's request up to three old appliances of each type that do not exceed 25 centimetres in any external dimension, in the retail store or in the immediate vicinity thereof. In the case of distribution using means of distance communication, all storage and shipping areas shall be considered as sales areas of the distributor.

If the old electrical or electronic equipment contains personal data, you are responsible for deleting this data yourself before returning it. If this is possible without destroying the old electrical or electronic equipment, please remove old batteries or rechargeable batteries as well as old lamps from it before returning it for disposal and take them to a separate collection.

Further information on the Electrical and Electronic Equipment Act can also be found on the Internet.

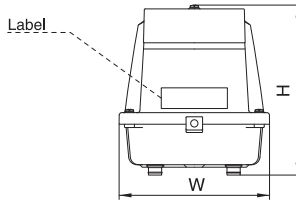
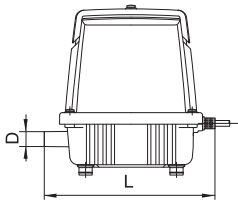
# 1. Model and Specifications

| Model              | LA-28B                         | LA-45C   | LA-60B (E)                    | LA-80B (E)  | LA-100A                       | LA-120A   |
|--------------------|--------------------------------|----------|-------------------------------|-------------|-------------------------------|-----------|
| Standard Voltage * | 230V AC                        |          |                               |             |                               |           |
| Rated Frequency    | 50Hz                           |          |                               |             |                               |           |
| Rated Pressure     | 110mbar                        |          | 150mbar                       |             | 180mbar                       |           |
| Operating Pressure | 50 - 180mbar<br>0,05 - 0,18bar |          | 50 - 200mbar<br>0,05 - 0,2bar |             | 50 - 300mbar<br>0,05 - 0,3bar |           |
| Rated Airflow      | 28l/min.                       | 45l/min. | 60l/min.                      | 80l/min.    | 100l/min.                     | 120l/min. |
| Power Consumption  | 29 W                           | 47 W     | 64 W (48 W)                   | 86 W (72 W) | 100 W                         | 130 W     |
| Weight             | 2.9kg                          | 3.0kg    | 5.0kg                         | 5.3kg       | 9.4kg                         | 9.4kg     |
| IP Class           | 55                             | 55       | 54                            | 54          | 55                            | 55        |

\* The unit must only be operated at the voltage as indicated on the outer casing of the blower.

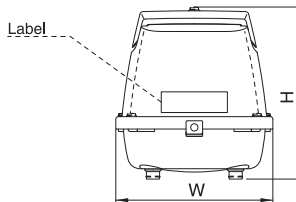
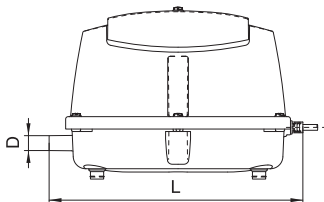
# 2. Dimensions

LA-28B / LA-45C



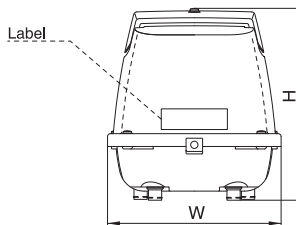
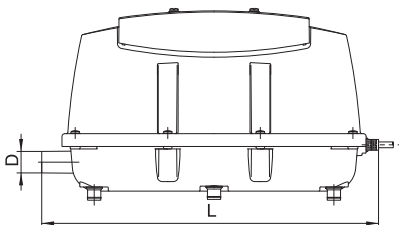
L=207mm  
W=182mm  
H=205mm  
D=18mmAD

LA-60B (E) / LA-80B (E)



L=305mm  
W=214mm  
H=188mm  
D=18mmAD

LA-100A / LA-120A



L=408mm  
W=210mm  
H=232mm  
D=26mmAD

### 3. Safety Instruction

#### Explanation of Diagrammatic Expressions

The term “Attention” used in this manual is to alert you to dangers such as the following;

Term

Degree of Danger Indicated by The Term



**ATTENTION**

This term indicates the possibility that continuing to work while ignoring this “Attention”, or working incorrectly without full understanding, may cause personal injury or physical damage.

#### The Meaning of the Symbols

Symbols



This symbol advises you of an item which should **BE NOTED** (including Danger and Warning) and the general notes will be shown by a picture, word or explanatory text inside or along the symbol mark.



This symbol advises you of an action which must **NOT BE TAKEN (IS PROHIBITED)** in order to avoid danger. The general actions which must not be taken will be shown by a picture or explanatory text inside or along the symbol mark.



This symbol advises you of an action which must **BE TAKEN (IS MANDATORY)** in order to avoid danger and the general emphasis of the action which must be taken will be shown by a picture or explanatory text inside or along the symbol mark.

#### Safety and Operating Instructions

The following safety precautions should always be followed to reduce the risk of breakdown and/or accident.



**ATTENTION**



**To Prevent Electric Shock And Fire**

- ① Don't install the blower where it will be flooded with water.
- ② Electrical work must be done by a qualified electrician.
- ③ The power supply should be the rated voltage shown on the label on the blower and be fitted with an earth leakage breaker and over current breaker.
- ④ The power outlet used should be waterproof and include an earth connected to ground.
- ⑤ If the supply cord is damaged, it must be replaced by the manufacturer or its service agent or similarly qualified person in order to avoid a hazard.
- ⑥ Don't place any objects on the electric cable.
- ⑦ Be sure to unplug the blower before starting maintenance.
- ⑧ Be sure to put the Upper Case back after maintenance.
- ⑨ Don't touch the metal part of the blower until it is cooled down as the blower runs very hot.

Ignoring any of the above may cause an electric shock, a fire or a burn.

## 4. Installation (Septic Tank Application)

### 1. Installation site selection

① Install our blower near the septic tank.

If the pipeline is long, the sewage treatment may not perform well due to an insufficient airflow. ⚠

② Install in a place which is convenient for maintenance. ⚠

③ Don't install over a manhole or on soft ground. ⚠

④ Avoid areas where wind-blown leaves and dust gathers. ⚠

⑤ Install in a well ventilated place. ⚠

⑥ Install at least 30cm away from the wall of a house. ⚠

⑦ Installation in the shade is recommended to suppress heat generation of the blower. ⚠

⑧ Don't install the blower where it will be flooded with water. Make sure that the blower is installed over the water level of the sewage tank/aquarium to avoid any backflow of the water.

If the blower is installed under the water level a backflow valve must be used. ⚠

⑨ Don't install where there is excess moisture or humidity. ⚠

### 2. Method of Installation

① The base should be made of concrete strong enough to bear the weight and block vibration from the blower. ⚠

② The base should be at least 10cm above the ground level and 5cm larger than the external dimensions of the blower. ⚠

③ Provide a separate power outlet to be only used for the blower. ⚠

④ Electrical work must be done by a qualified electrician. ⚠

⑤ The power supply should be the rated voltage shown on the label on the blower and be fitted with an earth leakage breaker and over-current breaker. ⚠

⑥ The power outlet used should be waterproof and include an earth connected to ground. ⚠

⑦ Place the blower horizontally on the base. ⚠

⑧ A soft rubber hose must be used for connection between the air outlet of the blower and the pipe. ⚠

⑨ The rubber hose must be fastened with hose clamps. ⚠

⑩ When making the connection, level the air outlet and the pipe to ensure the hose is not kinked or blocked. ⚠

⑪ Before starting the operation of the blower, ensure that the water level in the septic tank is appropriate and the valves on the pipeline are properly opened. ⚠

### 3. Start operation

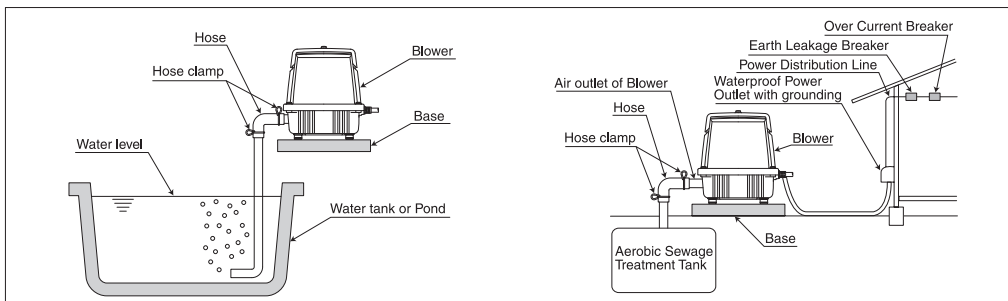
Insert the power plug into the power outlet with full contact so that the plug itself does not wobble. Incomplete connection may cause an electric shock or a fire.

After starting operation ensure that there is;

No air leakage from the hose and the pipe connection.

No abnormal noise from the blower.

No vibration transmitted to the ground due to strained piping.



## 5. Maintenance (Refer the sketches on the next page)

### 1. Cautions

- ① MEDO blowers are OILLESS. Never lubricate them. Ⓝ
- ② All blowers have already been precisely adjusted. Never disassemble them. Ⓝ  
(Do not try to loosen the Hex. bolts on the Endcap)

### 2. Replacement of Filter Element

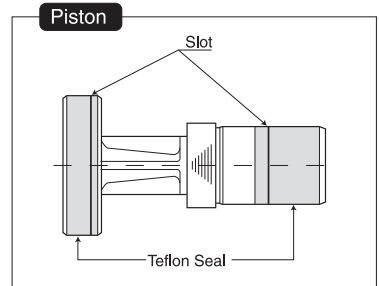
- ① Be sure to unplug the blower before starting the replacement work. ⚡ ⚠
- ② Loosen the Bind Screw① and remove the Filter Cover④.
- ③ Remove the Filter Element(s)⑤ from the Upper Case⑥ and replace with new One(s). At the same time, clean the air inlet of the Filter Cover④ and the Upper Case⑥.
- ④ Assemble the Filter Cover④ with the Filter Cover Gasket③ securely positioned.
- ⑤ Mount the Filter Cover④ to the Upper Case⑥, then tighten with the Bind Screw(s)①.
- ⑥ Time to replace the Filter Element

It is recommended that the Filter Element(s) is cleaned or replaced with new one(s) depending on the extent of its deterioration as determined by the atmospheric conditions around the application. **The filter element(s) should be checked every three months and should be replaced yearly.**

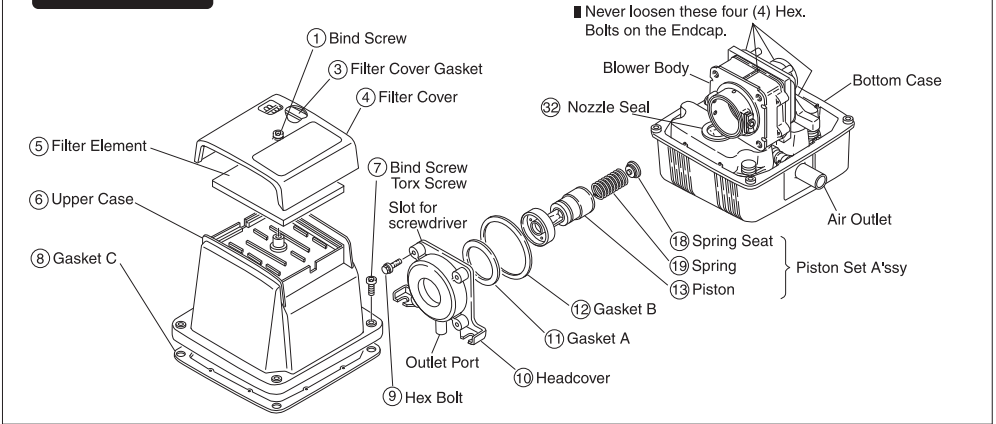
### 3. Replacement of Piston Set Assy

- ① Be sure to unplug the blower before starting the maintenance work. ⚡ ⚠
- ② Remove the Upper Case⑥, loosen all the Hex. Bolts⑨ on the Headcover ⑩ and remove it. In case it is hard to remove the Headcover ⑩ insert a flat head screwdriver to the slot(s) on the edge of the Headcover ⑩ and twist the screwdriver gently to open.
- ③ Take out the Piston Set Assy(s).
- ④ Replace all Piston Set Assys, Gasket A ⑪ and Gasket B ⑫ with new ones. Be sure to keep the Teflon Seal of the Piston ⑬ away from any dust, swarf, water, oil or grease. Try not to touch the Teflon Seal of the Piston ⑬ with your fingers.
- ⑤ Insert the Piston Set Assy(s) into the Pump Body. Install Gasket A ⑪ on the Headcover ⑩ and Gasket B ⑫ on the Pump Body, then fasten the Headcover ⑩ with the Hex. Bolts⑨. Tighten the Hex. Bolts⑨ evenly and alternately then gradually fully tighten.
- ⑥ Before putting the Upper Case⑥ back, start the blower and check if there is any air leakage along the Headcover ⑩ or the Nozzle Seal(s)⑭ by briefly blocking the air outlet. In case there is an air leakage along the Headcover ⑩, re-position Gasket A ⑪ and Gasket B ⑫ then re-fasten the Hex Bolts⑨. In case there is an air leakage along the Nozzle Seal(s) ⑭ check if the nozzle seal is installed on the airtank properly and press the pump body down to allow the outlet port of the Headcover to catch the Nozzle Seal(s) correctly.
- ⑦ Put the Upper Case⑥ back after installing Gasket C⑧ on the Bottom Case properly. Fasten the Bind Screws/Torx Screws⑦ evenly and alternately.

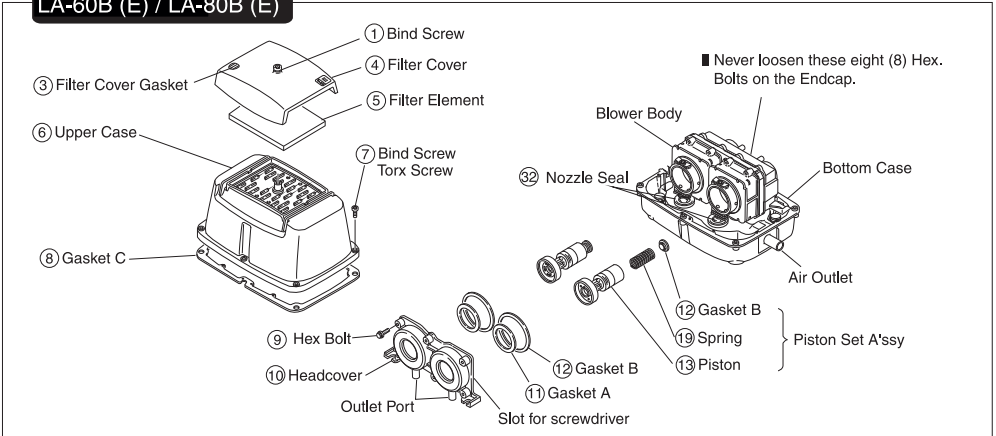
- ⑧ Piston Set Assembly replacement period  
It is suggested that the Piston Set Assembly is replaced every 24 months resp. after 20.000 h depending on the extent of the blower's pressure and airflow deterioration. There is a groove on each Teflon Seal of the Piston indicating the degree of wear. If one or both grooves are worn away, replacement of the Piston Set Assembly is recommended.



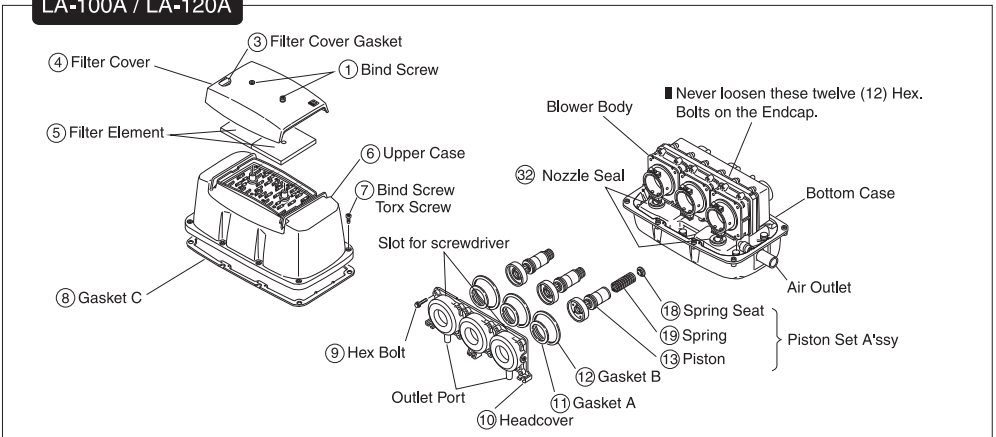
**LA-28B / LA-45C**



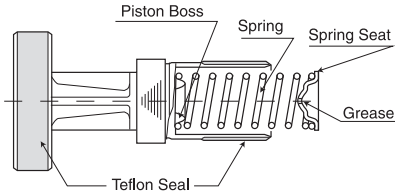
**LA-60B (E) / LA-80B (E)**



**LA-100A / LA-120A**



### Piston sectional view



#### Cautions

- Locate the spring into the piston by rotating it clockwise.
- Check that grease is present on the convex face of the spring seat.
- ( If no grease is present, please contact your supplier)
- Never use standard grease as it may cause a malfunction.
- Keep the Teflon Seal away from any dust, swarf, water, oil or grease.

## 4. Purchasing suggestion for the maintenance parts

### ① Filter Element

| Model                               | Part No. | Quantity   |
|-------------------------------------|----------|------------|
| LA-28B / LA-45C / LA-100A / LA-120A | LB02369  | 10 pcs.set |
| LA-60B (E) / LA-80B (E)             | LB03937  | 10 pcs.set |

### ② Repair Parts Kit

| Model           | Part No. | Quantity |
|-----------------|----------|----------|
| LA-28B          | LB01288  | 1 set    |
| LA-45C          | LB03514  | 1 set    |
| LA-60B / LA-80E | LB03519  | 1 set    |
| LA-60E          | LB07816  | 1 set    |
| LA-80B          | LB03517  | 1 set    |
| LA-100A/LA-120A | LB04151  | 1 set    |

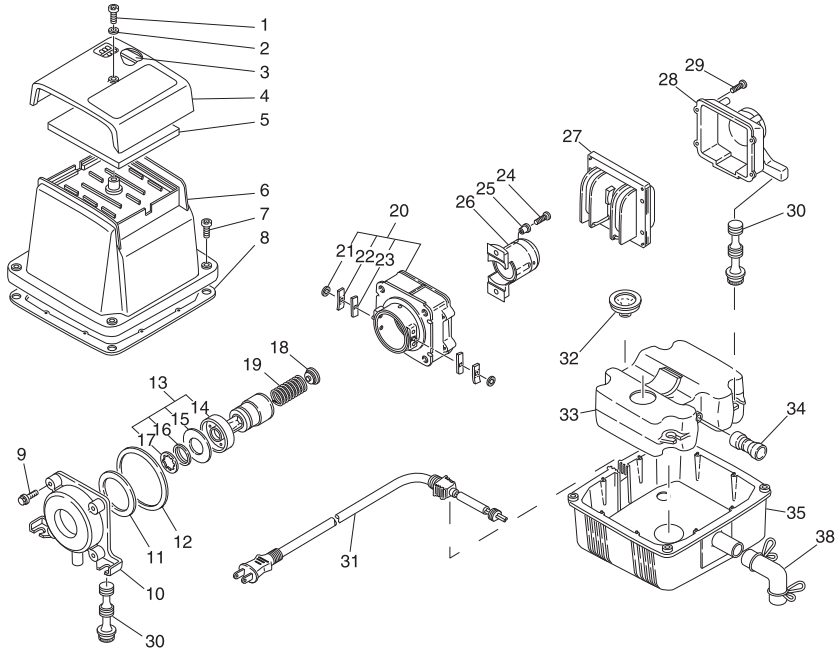
### ③ Contents of Repair Parts Kit

| Parts Included   | LA-28B / LA-45C | LA-60B (E) / LA-80B (E) | LA-100A / LA-120A |
|------------------|-----------------|-------------------------|-------------------|
| ⑤ Filter Element | 1               | 1                       | 2                 |
| ⑪ Gasket A       | 1               | 2                       | 3                 |
| ⑫ Gasket B       | 1               | 2                       | 3                 |
| ⑬ Piston         | 1               | 2                       | 3                 |
| ⑱ Spring Seat    | 1               | 2                       | 3                 |
| ⑲ Spring         | 1               | 2                       | 3                 |



## Exploded View

LA-28B/ LA-45C

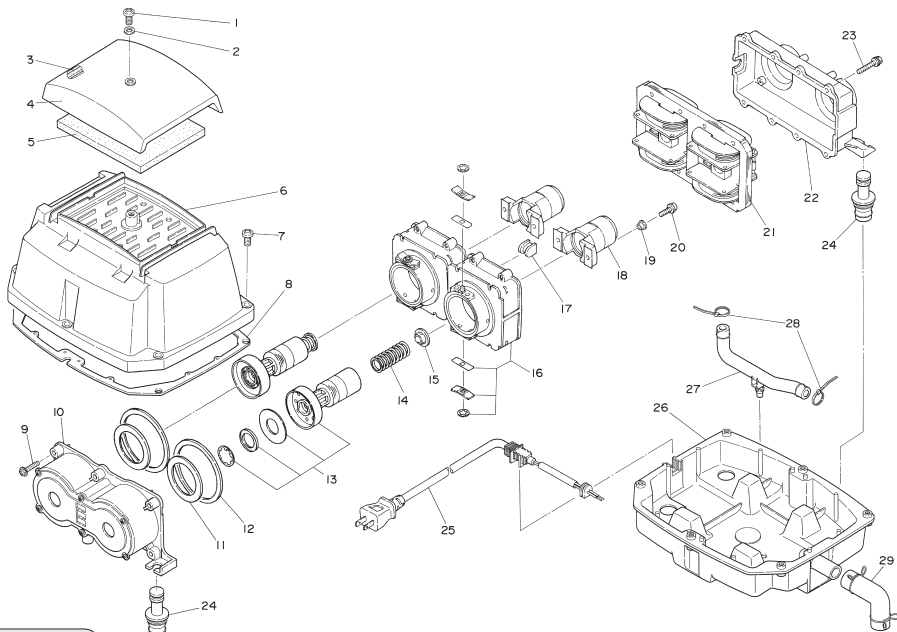


## Parts List



| No. | Part Name           | LA28B   | Q'ty | LA45C   | Q'ty | No.    | Part Name         | LA28B   | Q'ty | LA45C   | Q'ty |
|-----|---------------------|---------|------|---------|------|--------|-------------------|---------|------|---------|------|
| 1   | Bind Screw          | LP30581 | 1    | LP30581 | 1    | 27     | Field Core Assy P | LB01536 | 1    | LB03466 | 1    |
| 2   | Seal Washer         | LP30635 | 2    | LP30635 | 2    |        | Field Core Assy Q |         |      |         |      |
| 3   | Filter Cover Gasket | LQ02607 | 2    | LQ02607 | 2    |        | Field Core Assy E | LB04038 | 1    | LB04028 | 1    |
| 4   | Filter Cover        | LQ02575 | 1    | LQ02575 | 1    | 28     | Endcap            | LQ01052 | 1    | LQ02892 | 1    |
| 5   | Filter Element      | LQ02605 | 1    | LQ02605 | 1    | 29     | Hex Bolt          | LP31316 | 4    | LP31316 | 4    |
| 6   | Upper Case          | LB02937 | 1    | LB02937 | 1    | 30     | Rubber Feet       | LQ04256 | 4    | LQ04256 | 4    |
| 7   | Bind Screw UL       | LP30581 | 4    | LP30581 | 4    | 31     | Cable Assy UK     | LB05341 | 1    | LB05341 | 1    |
|     | Torx Screw CE       | LQ03082 | 4    | LQ03082 | 4    |        | Cable Assy D      | LB05307 | 1    | LB05307 | 1    |
| 8   | Gasket C            | LQ02601 | 1    | LQ02601 | 1    |        | Cable Assy A      |         |      |         |      |
| 9   | Hex Bolt            | LP31316 | 4    | LP31316 | 4    |        | Cable Assy J      | LQ01037 | 1    | LQ01037 | 1    |
| 10  | Headcover           | LQ02567 | 1    | LQ02063 | 1    |        | Cable Assy UL     | LB04770 | 1    | LB04770 | 1    |
| 11  | Gasket A            | LQ01043 | 1    | LQ01043 | 1    | 32     | Nozzle Seal       | LQ02598 | 1    | LQ02598 | 1    |
| 12  | Gasket B            | LQ01042 | 1    | LQ01042 | 1    | 33     | Air Tank Assy     | LB02987 | 1    | LB02987 | 1    |
| 13  | Piston              | LA70625 | 1    | LB03132 | 1    | 34     | Joint Hose        | LQ02602 | 1    | LQ02602 | 1    |
| 14  | Piston Sub Assy     | LA70626 | 1    | LB03133 | 1    | 35     | Bottom Case       | LB02938 | 1    | LB02938 | 1    |
| 15  | Inlet Valve         | LP30916 | 1    | LP30916 | 1    | 36     | Cushion           |         |      |         |      |
| 16  | Valve Retainer A    | LP11548 | 1    | LP11548 | 1    | 37     | Rubber Plug       |         |      |         |      |
| 17  | CS Ring             | LP12948 | 1    | LP12948 | 1    | OPTION |                   |         |      |         |      |
| 18  | Spring Seat         | LP12155 | 1    | LP12155 | 1    | 38     | Hose Assy         |         |      |         |      |
| 19  | Spring              | LP30620 | 1    | LQ02743 | 1    |        |                   | LA97475 |      | LB03185 |      |
| 20  | Housing             | LB03184 | 1    | LB03184 | 1    |        |                   |         |      |         |      |
| 21  | SE Ring             | LP12475 | 2    | LP12475 | 2    |        |                   |         |      |         |      |
| 22  | Valve Retainer B    | LP13735 | 2    | LP13735 | 2    |        |                   |         |      |         |      |
| 23  | Outlet Valve        | LP10359 | 2    | LP10359 | 2    |        |                   |         |      |         |      |
| 24  | Screw 5 x 20        | LP12599 | 2    | LP12599 | 2    |        |                   |         |      |         |      |
| 25  | Insulation Bush     | LP10355 | 2    | LP10355 | 2    |        |                   |         |      |         |      |
| 26  | Rear Cylinder       | LA71843 | 1    | LA71843 | 1    |        |                   |         |      |         |      |

## Exploded View

## LA-60B (E) / LA-80B (E)

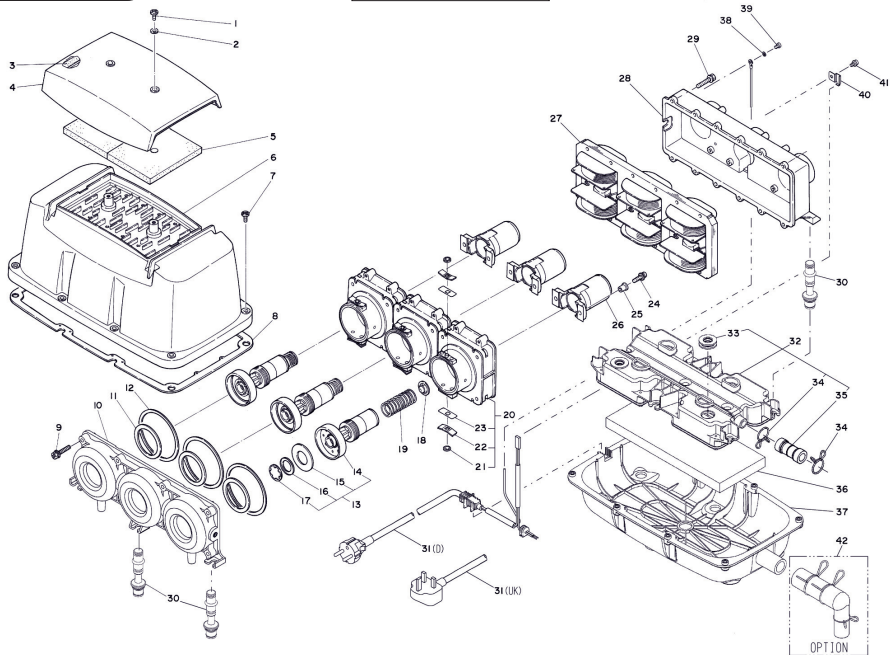


## Parts List


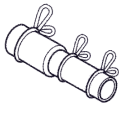
| No. | Part Name           | LA-60B (E) | Q'ty | LA-80B (E) | Q'ty | No.    | Part Name   | LA-60B (E) | Q'ty  | LA-80B (E) | Q'ty |
|-----|---------------------|------------|------|------------|------|--------|---|------------|---|------------|------|
| 1   | Bind Screw          | LP30581    | 1    | LP30581    | 1    | 22     | Endcap  | LQ03767    | 1   | LQ03767    | 1    |
| 2   | Seal Washer         | LP30635    | 2    | LP30635    | 2    |        | Endcap (Thermal)  | LQ05321    | 1   | LQ05321    | 1    |
| 3   | Filter Cover Gasket | LQ02607    | 2    | LQ02607    | 2    | 23     | Hex Bolt  | LP31316    | 8   | LP31316    | 8    |
| 4   | Filter Cover        | LB06202    | 1    | LB06202    | 1    | 24     | Rubber Feet   | LQ05143    | 4   | LQ05143    | 4    |
| 5   | Filter Element      | LQ02730    | 1    | LQ02730    | 1    | 25     | Cable Assy UK   | LB05341    | 1   | LB05341    | 1    |
| 6   | Upper Case          | LB06203    | 1    | LB06203    | 1    |        | Cable Assy D  | LB05307    | 1   | LB05307    | 1    |
| 7   | Bind Screw UL       | LP30581    | 6    | LP30581    | 6    |        | Cable Assy A  | LB06463    | 1   | LB06463    | 1    |
|     | Torx Screw CE       | LQ03082    | 6    | LQ03082    | 6    |        | Cable Assy J  | LB00914    | 1   | LB00914    | 1    |
| 8   | Gasket C            | LQ05144    | 1    | LQ05144    | 1    |        | Cable Assy UL   | LB04770    | 1   | LB04770    | 1    |
| 9   | Hex Bolt            | LP31316    | 6    | LP31316    | 6    | 26     | Bottom Case   | LB06205    | 1   | LB06205    | 1    |
| 10  | Headcover Assy      | LB06207    | 1    | LB06207    | 1    | 27     | Joint Hose  | LQ05142    | 1   | LQ05142    | 1    |
| 11  | Gasket A            | LQ01043    | 2    | LQ01043    | 2    | 28     | Clamp   | LP13171    | 2   | LP13171    | 2    |
| 12  | Gasket B            | LQ01042    | 2    | LQ01042    | 2    | OPTION |   |            |   |            |      |
| 13  | Piston Assy         | LB03132    | 2    | LB03132    | 2    | 29     | Hose Assy   |            |   |            |      |
| 14  | Spring              | LP30585    | 2    | LQ02743    | 2    |        | LA97475   |            | LB03185   |            |      |
| 15  | Spring Seat         | LP12155    | 2    | LP12155    | 2    |        | LA97475   |            | LB03185   |            |      |
| 16  | Housing Assy        | LB03184    | 2    | LB03184    | 2    |        |  |            |  |            |      |
| 17  | Rubber Plug         | LQ03775    | 1    | LQ03775    | 1    |        |   |            |   |            |      |
| 18  | Rear Cylinder       | LB02443    | 2    | LB02443    | 2    |        |   |            |   |            |      |
| 19  | Insulation Bush     | LP10355    | 4    | LP10355    | 4    |        |   |            |   |            |      |
| 20  | Screw 5 x 20        | LP12599    | 4    | LP12599    | 4    |        |   |            |   |            |      |
| 21  | Field Core Assy P   | LB04901    | 1    | LB04905    | 1    |        |   |            |   |            |      |
|     | Field Core Assy Q   | LB05126    | 1    | LB05134    | 1    |        |   |            |   |            |      |
|     | Field Core Assy E   | LB05099    | 1    | LB05048    | 1    |        |   |            |   |            |      |

## Exploded View

LA-100A/ LA-120A



## Parts List

| No. | Part Name           | LA100A  | Q'TY | LA120A  | Q'ty | No.   | Part Name       | LA100A  | Q'TY  | LA120A  | Q'ty |
|-----|---------------------|---------|------|---------|------|---|-----------------|---------|---|---------|------|
| 1   | Bind Screw          | LP30581 | 1    | LP30581 | 1    | 27  | Field Core Assy | LB04909 | 1   | LB04855 | 1    |
| 2   | Seal Washer         | LQ06102 | 4    | LQ06102 | 4    | 28  | Endcap          | LQ05390 | 1   | LQ05390 | 1    |
| 3   | Filter Cover Gasket | LQ03101 | 2    | LQ03101 | 2    | 29  | Hex Bolt        | LP31316 | 12  | LP31316 | 12   |
| 4   | Filter Cover        | LB03769 | 1    | LB03769 | 1    | 30  | Rubber Feet     | LQ06227 | 6   | LQ06227 | 6    |
| 5   | Filter Element      | LQ02605 | 2    | LQ02605 | 2    | 31  | Cable Assy D    | LB07278 | 1   | LB07278 | 1    |
| 6   | Upper Case          | LB03763 | 1    | LB03763 | 1    |   | Cable Assy UK   |         |   | LB07952 | 1    |
| 7   | Torx Screw          | LQ03082 | 8    | LQ03082 | 8    | 32  | Air Tank Assy   | LB07730 | 1   | LB07730 | 1    |
| 8   | Gasket C            | LQ03091 | 1    | LQ03091 | 1    | 33  | Seal Rubber     | LQ06226 | 2   | LQ06226 | 2    |
| 9   | Hex Bolt            | LP31316 | 8    | LP31316 | 8    | 34  | Clamp           | LP12678 | 2   | LP12678 | 2    |
| 10  | Headcover           | LB03834 | 1    | LB03834 | 1    | 35  | Joint Hose      | LQ03096 | 1   | LQ03096 | 1    |
| 11  | Gasket A            | LQ01399 | 3    | LQ01399 | 3    | 36  | Cushion         | LQ03112 | 1   | LQ03112 | 1    |
| 12  | Gasket B            | LQ01400 | 3    | LQ01400 | 3    | 37  | Bottom Case     | LB03762 | 1   | LB03762 | 1    |
| 13  | Piston Assy         | LB03779 | 3    | LB03779 | 3    | 38  | Spring Washer   | LB30144 | 1   | LB30144 | 1    |
| 14  | Piston Sub Assy     | LB03780 | 3    | LB03780 | 3    | 39  | Grounding Screw | LQ01851 | 1   | LQ01851 | 1    |
| 15  | Inlet Valve         | LQ03230 | 3    | LQ03230 | 3    | 40  | Thermal Bracket | LQ05320 | 1   | LQ05320 | 1    |
| 16  | Valve Retainer A    | LP11548 | 3    | LP11548 | 3    | 41  | Screw M4x8      | LQ00190 | 1   | LQ00190 | 1    |
| 17  | CS Ring             | LP12948 | 3    | LP12948 | 3    |   |                 |         |   |         |      |
| 18  | Spring Seat         | LP10357 | 3    | LP10357 | 3    | OPTION  |                 |         |   |         |      |
| 19  | Spring              | LQ03117 | 3    | LQ03117 | 3    | 42  | Hose Assy       |         |   |         |      |
| 20  | Housing             | LB03778 | 3    | LB03778 | 3    | LB03965   |                 |         | LB01070   |         |      |
| 21  | SE Ring             | LP12475 | 6    | LP12475 | 6    |  |                 |         |  |         |      |
| 22  | Valve Retainer B    | LP13735 | 6    | LP13735 | 6    |   |                 |         |   |         |      |
| 23  | Outlet Valve        | LP10359 | 6    | LP10359 | 6    |   |                 |         |   |         |      |
| 24  | Hex Bolt            | LQ06011 | 6    | LQ06011 | 6    |   |                 |         |   |         |      |
| 25  | Insulation Bush     | LP10355 | 6    | LP10355 | 6    |   |                 |         |   |         |      |
| 26  | Rear Cylinder       | LB01415 | 3    | LB01415 | 3    |   |                 |         |   |         |      |

**Head Office:**

9-4, Nakaikegami 2 chome,  
Ohta-ku, Tokyo 146-8555, Japan  
Phone: +81-3-3755-1111; Fax: +81-3-3754-4131  
URL: [www.nitto-kohki.co.jp](http://www.nitto-kohki.co.jp)  
e-mail: [overseas@nitto-kohki.co.jp](mailto:overseas@nitto-kohki.co.jp)

**MEDO U.S.A., INC:**

46 Chancellor Drive, Roselle,  
IL 60172, U.S.A.  
Phone: +1-630-924-8811; Fax: +1-630-924-0808

**NITTO KOHKI EUROPE CO., LTD.:**

Unit A5, Langham Park, Maple Road,  
Castle Donington, Derbyshire, DE74 2 UT, United Kingdom  
Phone: +44-1332-653 800; Fax: +44-1332-987 273,  
e-mail: [info@nitto-europe.com](mailto:info@nitto-europe.com)

**NITTO KOHKI EUROPE GMBH:**

Gottlieb-Daimler-Str. 10, 71144 Steinenbronn, Germany  
Phone: +49-7157-989555-0; Fax: +49-7157-989555-40  
e-mail: [info@nitto-kohki.eu](mailto:info@nitto-kohki.eu)

**NITTO KOHKI AUSTRALIA PTY LTD:**

77 Brandl Street, Eight Mile Plains,  
QLD 4113, Australia  
Phone: +61-7-3340-4600; Fax: +61-7-3340-4640

---