

# BCV series

**Sewage Submersible Pump**  
**Non-Clogging Vortex Impeller**  
**Solid pass 50mm**

**Liquid temperature :** 0 °C to 40 °C / +32 °F to +104 °F  
**HP range :** 1/2 to 3 HP / 0.4 kW to 2.2 kW  
**pH :** 6 to 8  
**Protection class :** IP68  
**Maximum immersion depth :** 8M



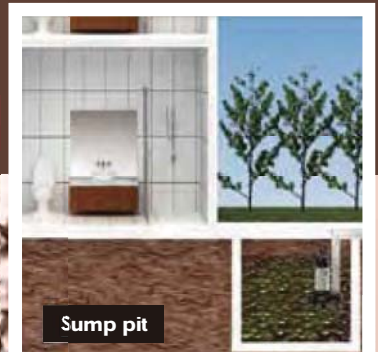
Discharge Water



Livestock production facilities.



Sprinkling



Sump pit

Dimension			
Model	A	B	C
	mm	mm	mm
BCV-400	396	141	222
BCV-750	470	141	264
BCV-1500	598	198	255
BCV-2200	598	198	255



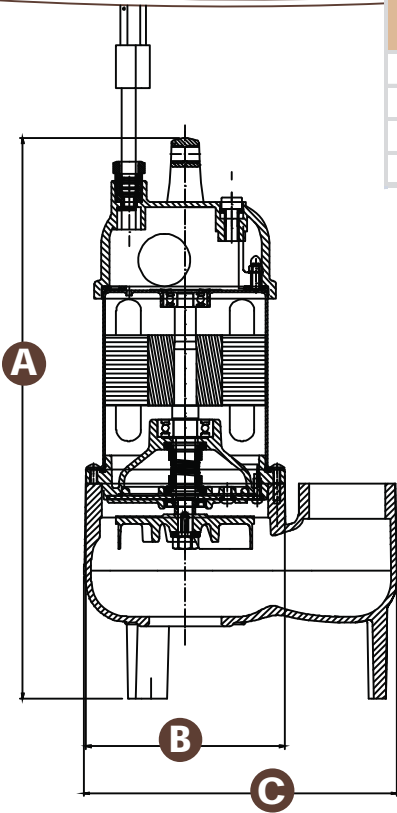
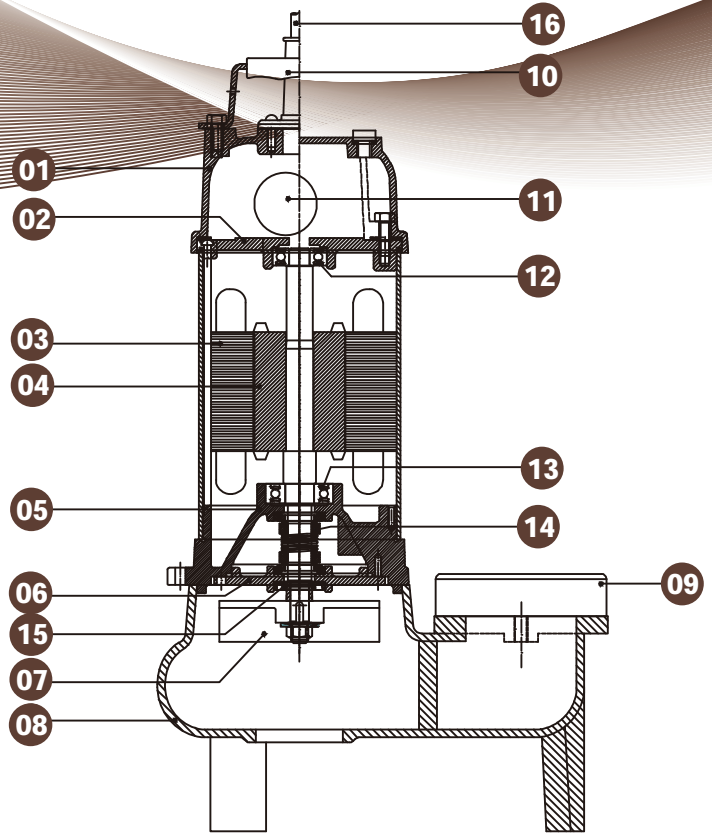
2" (50mm)  
Pass Solids



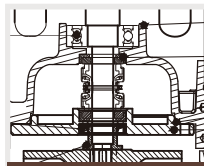
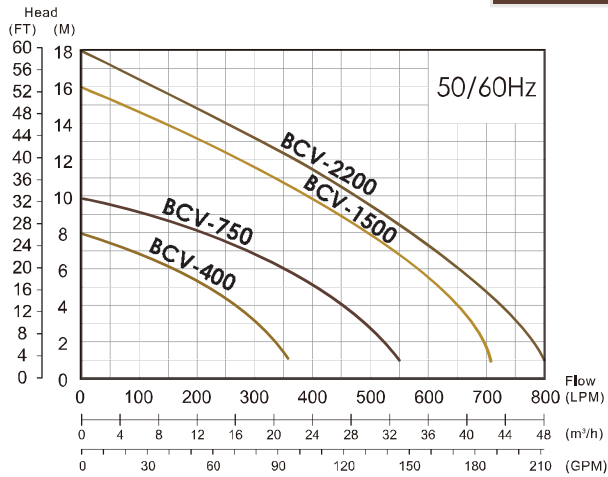
Flow  
Switch



Impeller



Construction					
No.	Description	Material	No.	Description	Material
1	Top Cover	FC200	9	Flange	FC200
2	Motor Housing	SUS304	10	Handle	SUS+NBR
3	Stator	Laminated Steel	11	Capacitor	
4	Shaft	SUS410	12	Upper Bearing	
5	Seal Plate	FC200	13	Lower Bearing	
6	Oil Seal Cover	FC200	14	Mechanical seal	CA/CE+SIC/SIC
7	Impeller	FC200	15	Oil Seal	NBR
8	Pump Casing	FC200	16	Power cable	



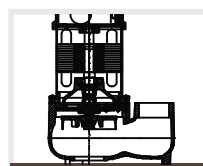
Oil chamber design to ensure Mech. Seal long service life.



Non-Clogging Vortex Impeller Design



PSC Motor Design & B class insulation.



The top & casing design can endure corrosion & long service life over 5 years.

## Specification

Model No.	Output		Outlet		Solid Pass Dia(mm)	Max Flow (LPM)	LPM Flow @ Head					Max Head (M)	Dimension L x W x H(mm)	Weight Kg
	HP	W	mm	inch			3M	4.5M	6M	7.5M	9M			
BCV-400	1/2	400	50	2"	50	380	295	210	120	25	-	8	222 x 141 x 396	12
BCV-750	1	750	50	2"	50	575	510	430	330	200	70	10	264 x 141 x 470	21
							3M	6M	9M	12M	15M			
BCV-1500	2	1500	80	3"	50	700	660	570	460	300	70	16	255 x 198 x 598	38
BCV-2200	3	2200	80	3"	50	800	750	650	530	380	190	18	255 x 198 x 598	39