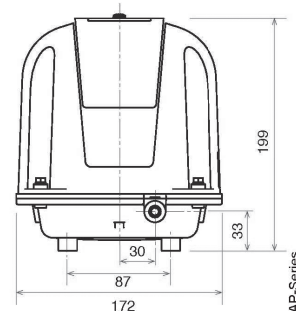
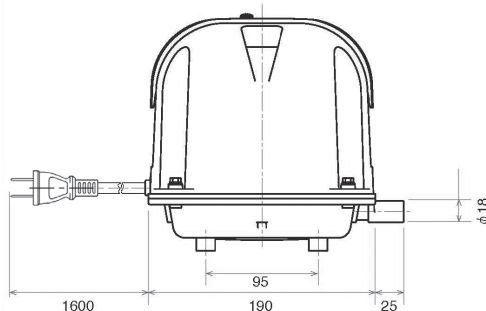


Linear Diaphragm Pumps AP-60N, AP-60/80, AP-80H, AP-100, AP-120

Flow at rated pressure

47 to 125 l/min at 200 mbar



AP-Series

PNEUMATIC DATA

Description	AP-60N	AP-60/80	AP-80H	AP-100	AP-120
Part number	52500478	52500485	52500480	52500472	52500473
Flow at rated pressure	47 l/min	60 l/min	82 l/min	108 l/min	125 l/min
Rated pressure	200 mbar	200 mbar	200 mbar	200 mbar	200 mbar
Operating range	100 to 300 mbar	100 to 300 mbar	100 to 300 mbar	140 to 300 mbar	160 to 300 mbar

ELECTRICAL DATA

Motor type	Linear drive	Linear drive	Linear drive	Linear drive	Linear drive
Nominal Voltage	230V 50Hz	230V 50Hz	230V 50Hz	230V 50Hz	230V 50Hz
Consumption at rated pressure	0.26 A / 31 W	0.34 A / 41 W	0.8 A / 73 W	1.06 A / 99 W	1.45 A / 128 W
Efficiency at rated pressure	0.66 W/l	0.68 W/l	0.89 W/l	0.92 W/l	1.02 W/l

GENERAL DATA

Ambient temperature	-10 to 40 °C	-10 to 40 °C	-10 to 40 °C	-10 to 40 °C	-10 to 40 °C
Weight	5.8 kg	5.8 kg	6.1 kg	6.1 kg	6.1 kg
Outlet diameter	18 mm	18 mm	18 mm	18 mm	18 mm
Average sound level	34 dB (A)	34 dB (A)	35 dB (A)	37 dB (A)	38 dB (A)

SERVICE PARTS

Air filter and gasket kit	700582	700582	700582	700582	700582
Air filter kit	700583	700583	700583	700583	700583
*Chamber block set	700581	700581	700585	700585	700585
**Protective switch	700578	700578	700578	700578	700578

All listed values are measured at standard atmospheric conditions.

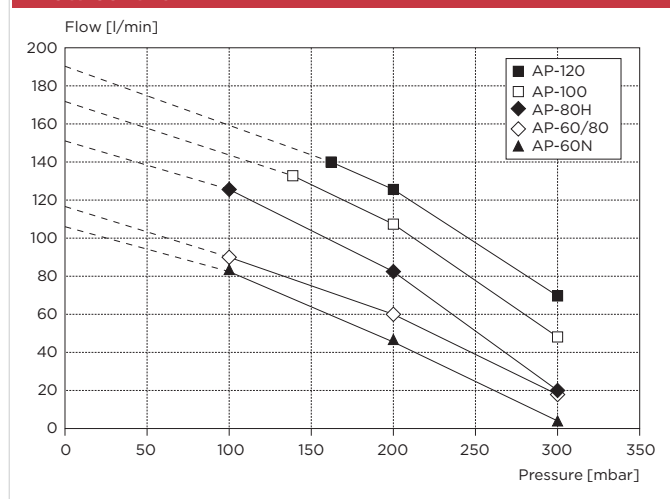
If 230V 60Hz is required, please consult factory

*Chamber block set denotes part is only available for trained service personnel. Contact your local sales representative.

**Protective Switch denotes that switch replacement can only be done at factory. Contact your local sales representative.

Please refer to the operation manual for additional information.

FLOW CURVES



SERVICE PARTS

Air filter kit consists of
5 x Air cleaner element
5 x Air cleaner gasket

Air filter and gasket kit consists of
1 x Air cleaner element
1 x Air cleaner gasket
1 x Cover plate gasket
1 x Noise absorbing net
1 x Tank gasket

*Chamber block set consists of
2 x Pump head with valves
2 x Diaphragm assembly
2 x Diaphragm gasket
2 x Nut
2 x Washer

**Protective switch consists of
1 x Microswitch
2 x Nut
2 x Washer
1 x Cover plate gasket

SUPPLIED AS STANDARD

Cable/Euro-plug
Air connector consists of (part number 700073)
1 x Outlet hose, angled, 170/50 mm
2 x Hose clamp

5250... Stock programme

Note: Operation outside specified operating range is not recommended.
All listed values are measured at standard atmospheric conditions